

Tacta Mechanical Pipette User Manual



Table of Contents

1. Introduction	3
1.1 Pipette Parts and Materials	3
1.2 Sartorius Pipette Tips	4
1.3 Adjustment Tool	4
2. Package Contents	4
3. Tagging the Pipette	5
4. Stands and Holders	5
4.1 Installing the Pipette Holder	5
4.2 Using the Carousel Stand Adapter	6
5. Preparing the Pipette	6
5.1 Setting the Volume	6
5.2 Attaching and Ejecting Tips	7
5.3 Using Protective Tip Cone Filters	10
6. Operating the Pipette	11
6.1 Good Pipetting Practices	11
6.2 Forward Pipetting	11
6.3 Reverse Pipetting	12
6.4 Repetitive Reverse Pipetting	12
7. Maintaining the Pipette.....	12
7.1 Cleaning the Outer Surface of the Pipette (daily)	13
7.2 Cleaning the Lower Part of the Pipette (every three months).....	13
7.3 Sterilizing the Pipette	15
8. Testing and Adjusting the Pipette	15
8.1 Testing Pipette Performance	16
8.2 Adjusting the Pipette	17
9. Troubleshooting	18
10. References	19
10.1 Order Information and Specifications	19
10.2 Warranty Information	20

1. Introduction

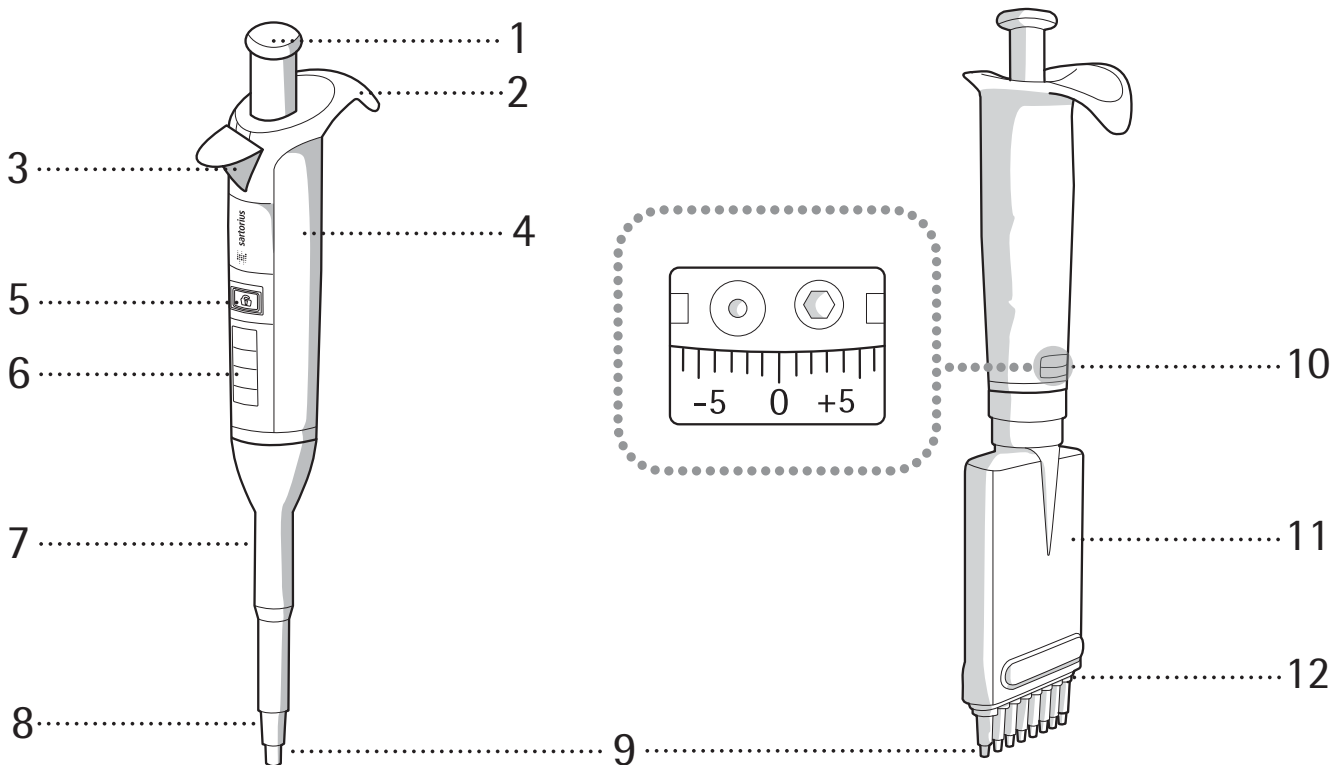
The Sartorius Tacta is a mechanical pipette for dispensing liquids in measured volumes ranging from 0.1 µl to 10 ml. It is a general purpose laboratory device that fulfils ISO 9001 and ISO 13485 standards.

Read this user manual carefully before using the pipette for the first time. Additional copies can be downloaded from www.sartorius.com or hardcopies ordered by email from lhinfo.finland@sartorius.com.

NOTE: Prolonged pipetting can cause Work Related Upper Limb Disorder (WRULD). The manufacturer is not responsible for WRULD or any related injuries caused by using the Tacta pipette.

1.1 Pipette Parts and Materials

1. Operating button (polyamide (PA), silicone (SI), stainless steel (SS))
2. Finger support (polypropylene (PP))
3. Tip ejector (PA)
4. Handle (PP)
5. Volume lock (SI)
6. Display (polycarbonate (PC))
7. Tip ejector collar (PP)
8. Tip cone (polyvinylidene fluoride (PVDF) in 3, 10, 20, and 100 µl pipettes, polyetherimide (PEI) in 200 and 300 µl pipettes, polyphenylenesulphide (PPS) in 1000 µl, 5000 µl, and 10 ml pipettes)
9. Safe-Cone Filter (polyethylene (PE))
10. Adjustment window (PC)
11. Tip cone housing (PA)
12. Tip ejector bar (PA)



1.2 Sartorius Pipette Tips

We recommend only using Sartorius pipette tips with the Tacta pipette. Using fully compatible tips guarantees the pipette's performance specifications and ensures pipetting accuracy and precision.

Sartorius tips are made of pure virgin polypropylene and manufactured in protected cleanroom conditions.

Sartorius non-filter tips are available in trays, bulk packages, and space-saving refill systems. Both non-filter tips and trays are autoclavable at 121°C (252°F), 20 min, 1 bar (15 psi). All Single Tray racks and clean Refill Packs are certified RNase, DNase, and endotoxin-free.

To avoid aerosol contamination, use SafetySpace Filter Tips and discard them after each pipetting. These can also be used to avoid sample loss caused by the sample coming into contact with the filter. The extra space between the sample and the filter (see picture) ensures that even foaming or viscous liquids do not come into contact with the filter in reverse pipetting or repetitive/multiple dispensing modes.

For more information, please visit www.sartorius.com or contact your local Sartorius representative.



1.3 Adjustment Tool

For situations where factory calibration is not applicable, the adjustment tool allows you to calibrate the pipette accurately.

NOTE: For more information on adjusting of the Tacta pipette [see 8.2, Adjusting the pipette.](#)



2. Package Contents

The Tacta pipette package contains the following items:

- Tacta mechanical pipette
- Sartorius Optifit tip(s)
- Adjustment tool
- Four identification tags
- Safe-Cone Filters (except 3 and 10 µl models)
- Autoclavable grease, 1 g
- Pipette holder
- Carousel stand adapter
- QC certificate from gravimetric testing according to ISO 8655-6 standard
- Quick Start Guide

If any item in the package is missing or damaged, contact your local Sartorius representative.

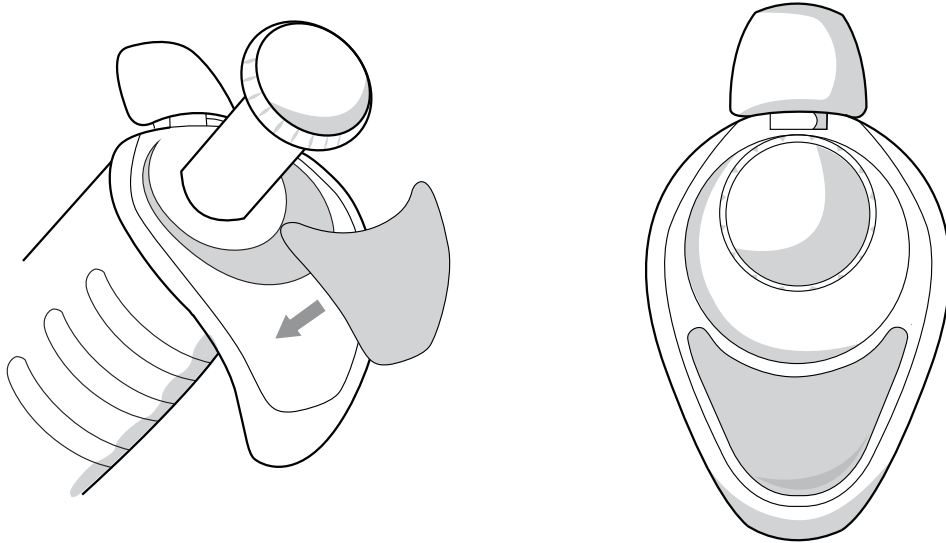


3. Tagging the Pipette

You can use personalized tags to make each Tacta pipette easily identifiable.

NOTE: If you intend to autoclave the pipette, make sure you use suitably resistant ink.

1. Write the identifying information on the tag.
2. Attach the tag to the finger support.

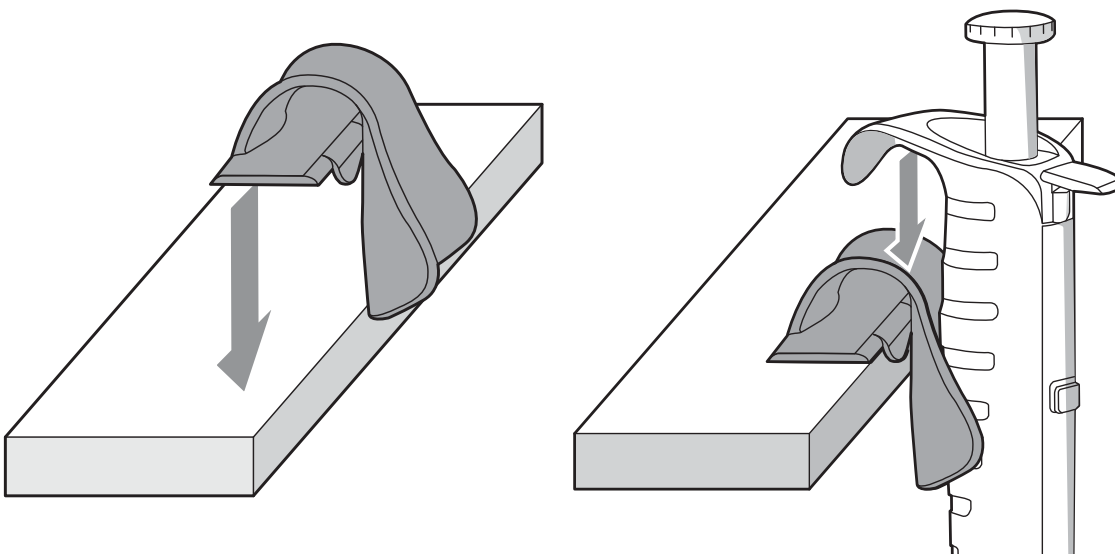


4. Stands and Holders

For convenience and safety, always keep the pipette upright in its holder or stand when not in use.

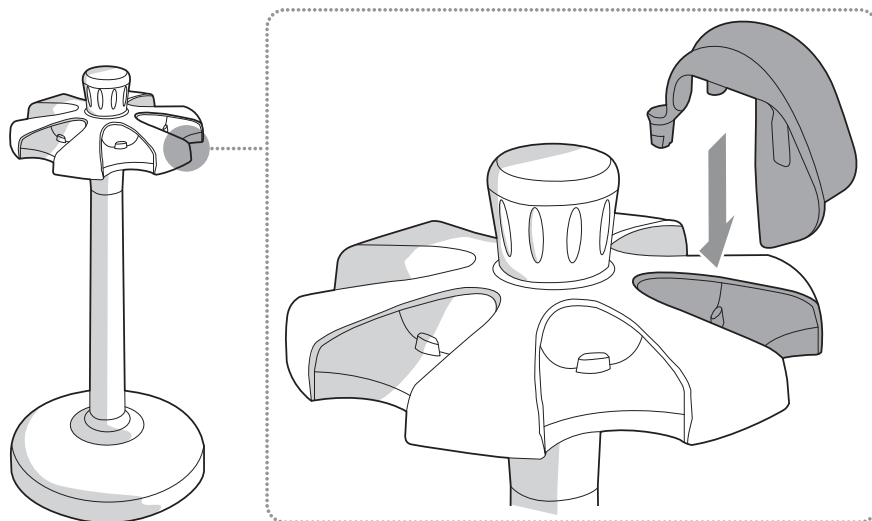
4.1 Installing the Pipette Holder

1. Clean the shelf surface with ethanol.
2. Remove the protective paper from the adhesive tape.
3. Install the holder by pressing it against the edge of the shelf.
4. Hook the finger support onto the holder.



4.2 Using the Carousel Stand Adapter

Tacta is compatible with Carousel Stand (Order Code 725600) by using the adapter provided with Tacta package.



NOTE: A Carousel Stand that holds six Tacta pipettes is available separately [see 10.1, Order information and specifications](#).

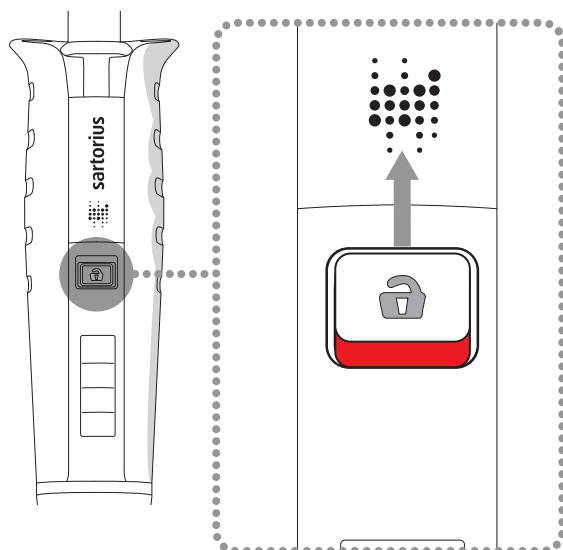
5. Preparing the Pipette

5.1 Setting the Volume

The volume to be aspirated is shown on the display. To adjust the volume, you can use the volume lock button in two different ways.

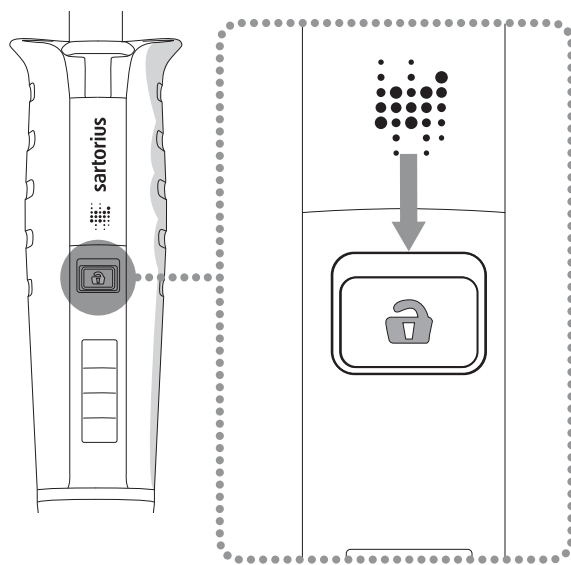
We recommend that in normal use the volume lock is engaged, with the red bar hidden. This prevents accidental volume changes. The volume to be aspirated is shown on the display. To adjust the volume:

1. Press and hold the volume lock button.
 2. Turn the operating button to adjust the volume.
 3. Release the button to lock the volume adjustment again.
- OR
1. Slide the volume lock button up. The red bar becomes visible and volume adjustment is now unlocked.
 2. Turn the operating button to adjust the volume.



If the volume is unlocked (the red bar is visible):

1. Turn the operating button to adjust the volume.
2. Slide the volume lock button down. Volume adjustment is now locked, preventing accidental volume changes.



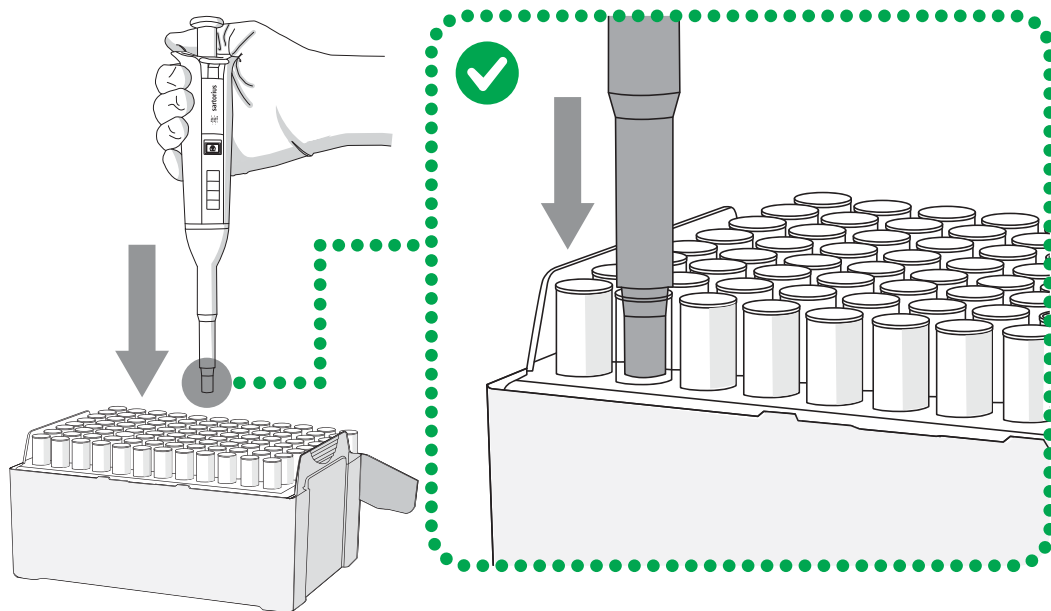
NOTE: If the volume lock is not used, volume can be accidentally changed.

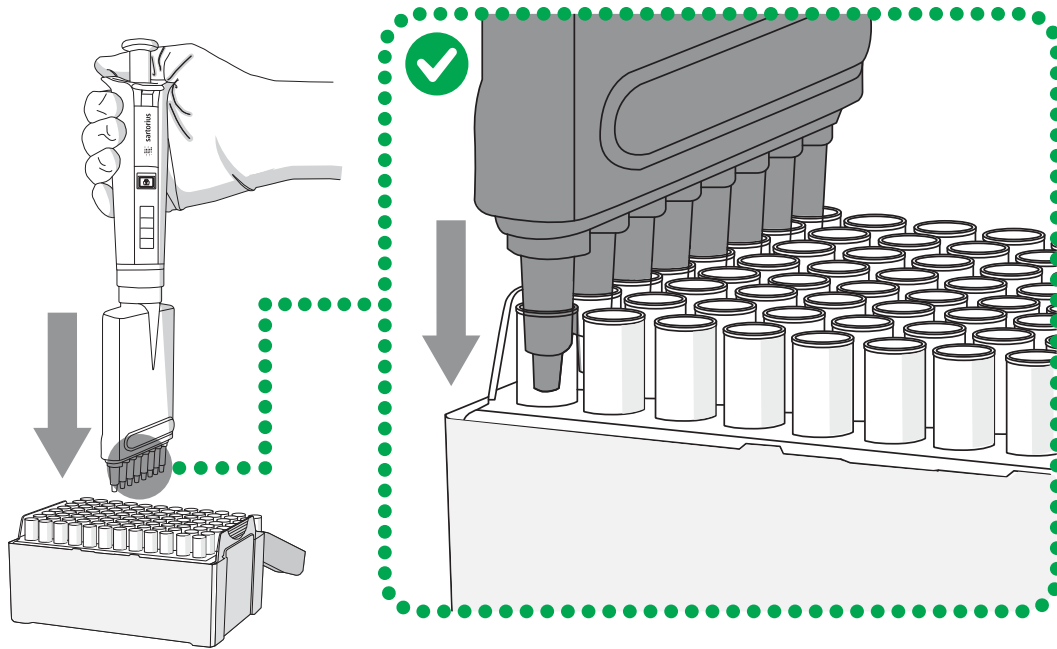
5.2 Attaching and Ejecting Tips

The pipette has a spring-loaded tip cones for optimal sealing.

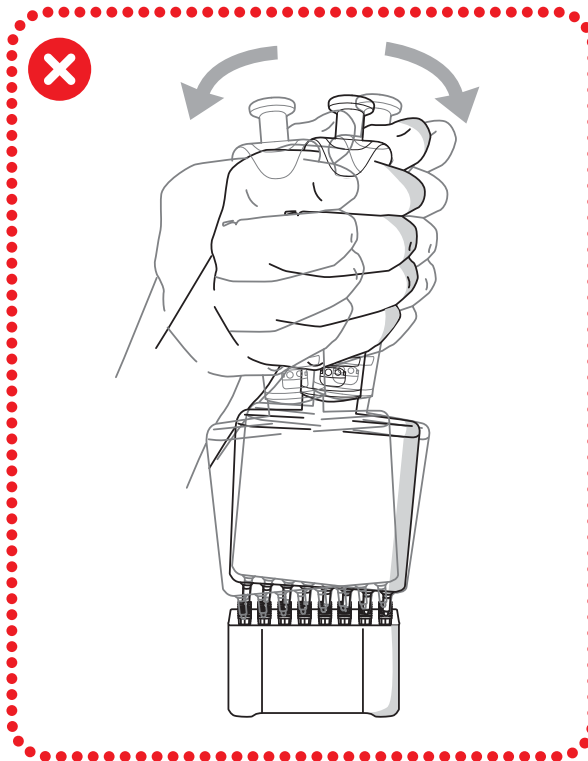
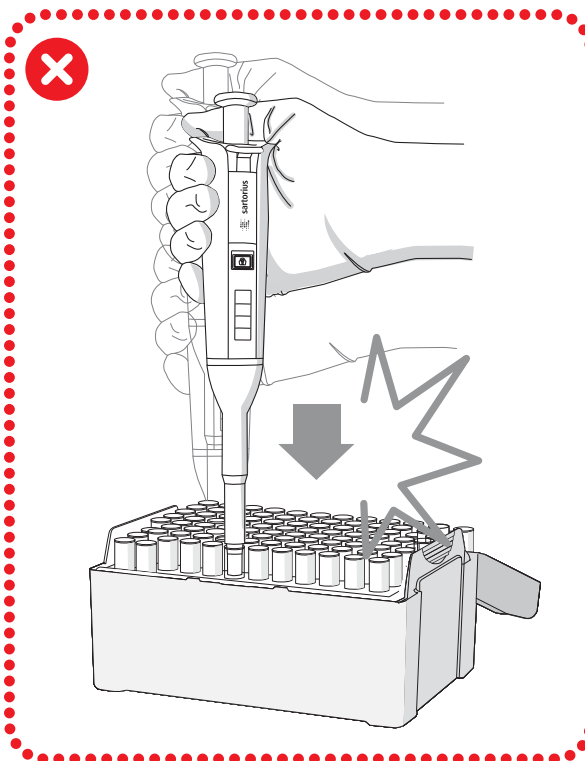
To attach a tip:

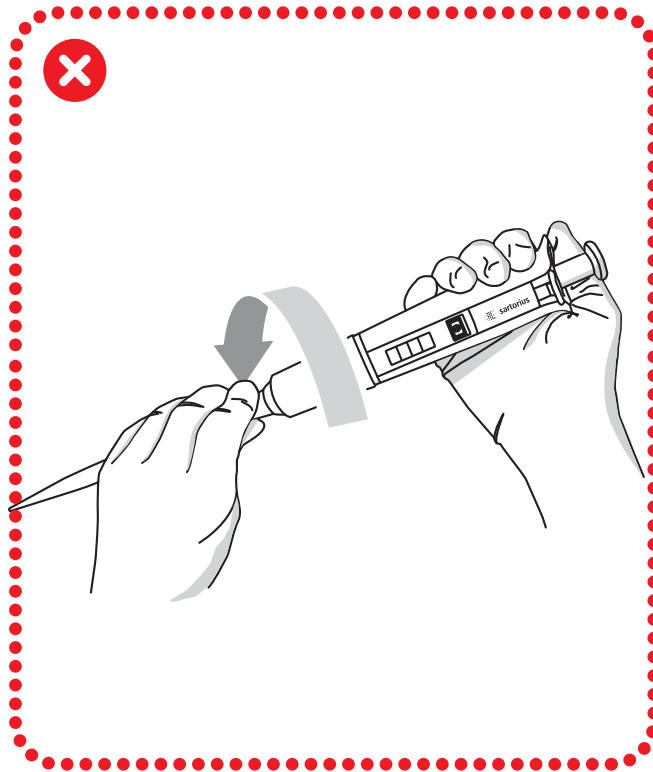
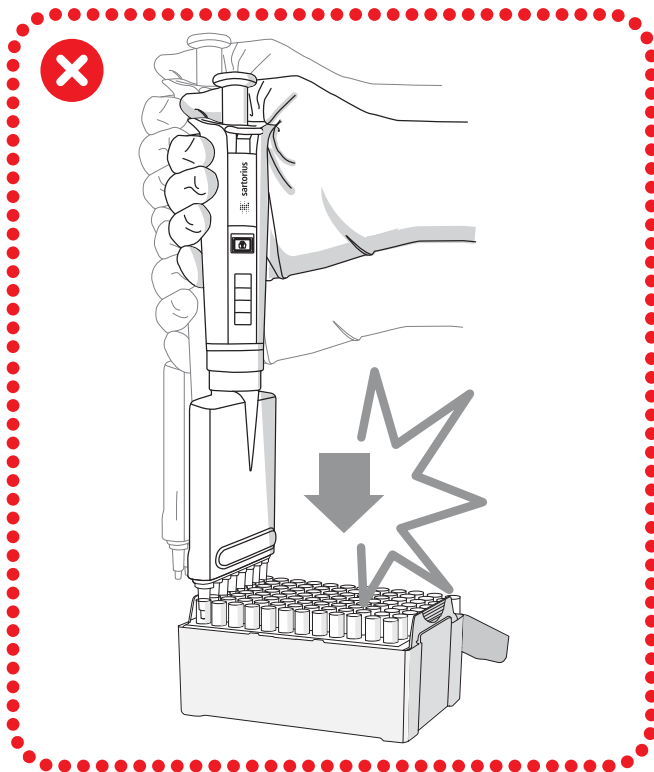
1. Make sure the pipette tip cones are clean and undamaged.
2. Press the tip cone carefully into a tip held in a tip tray.





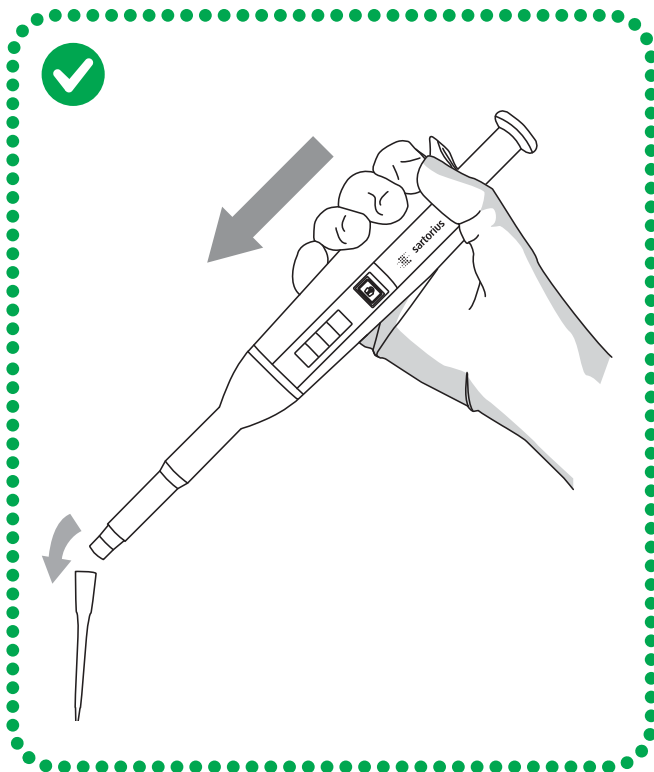
NOTE: Do not force the pipette into the tip, or rock it from side to side or front to back when attaching the tips.





To eject a tip:

1. Hold the pipette over a suitable waste container.
2. Press the tip ejector with your thumb.



5.3 Using Protective Tip Cone Filters

Replaceable Sartorius Safe-Cone Filters can be used with your pipette to help prevent liquids and aerosols from entering the pipette housing and causing contamination or damage. We recommend you always use these filters when using non-filter tips. The operating button allows safe and easy filter ejection.

NOTE: Do not use a Safe-Cone Filters with filter tips.

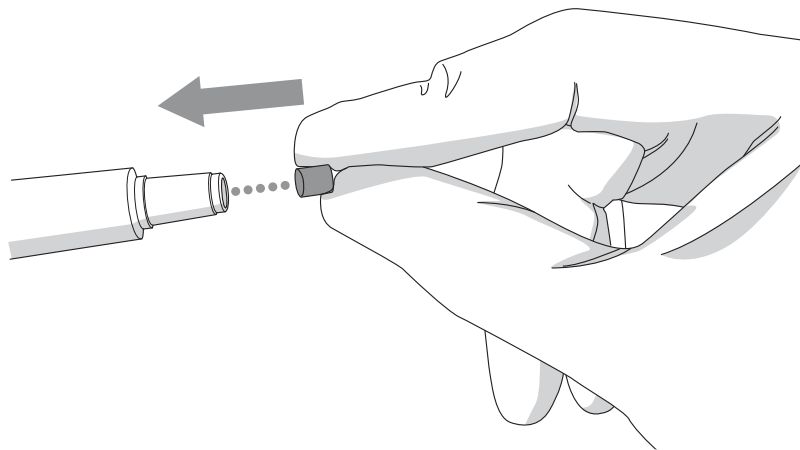
Safe-Cone Filters are available in Standard or Plus versions. We recommend the Standard filter for general applications, and the Plus filter for more demanding applications, such as:

- Cell culture
- Bacterial and virological work
- Molecular biology

The filter must be changed regularly. The change interval depends on the application, but we recommend regular daily replacement and always in the case of over-aspiration. If you notice that the pipette is not functioning properly, change the filter.

To insert a Safe-Cone Filter:

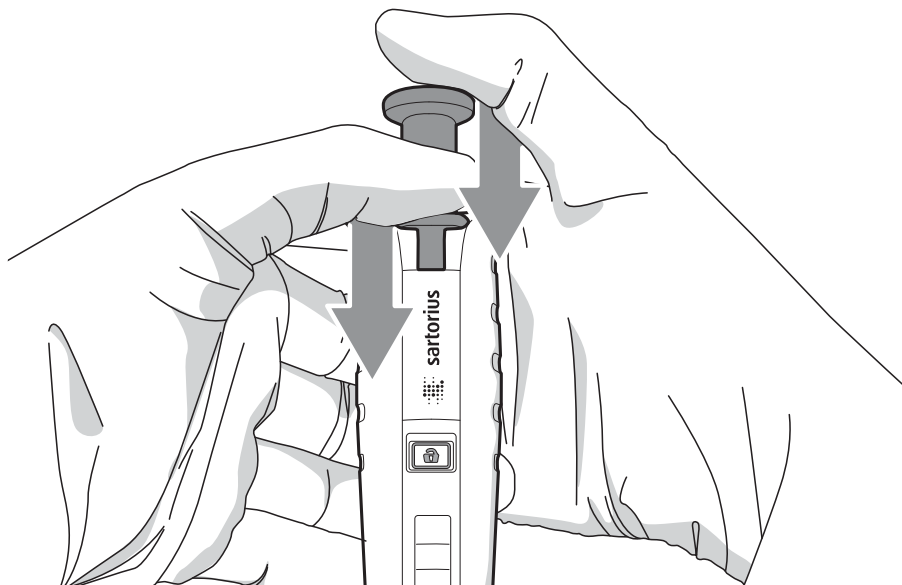
1. Clean the tip cone if necessary.
2. Insert a new filter.



You can remove Safe-Cone Filters with the filter ejector without touching them.

To remove a Safe-Cone Filter:

1. Hold the pipette over a suitable waste container.
2. Press the operating button and the tip ejector at the same time.



6. Operating the Pipette

The Tacta pipette is generally used for forward and reverse pipetting.

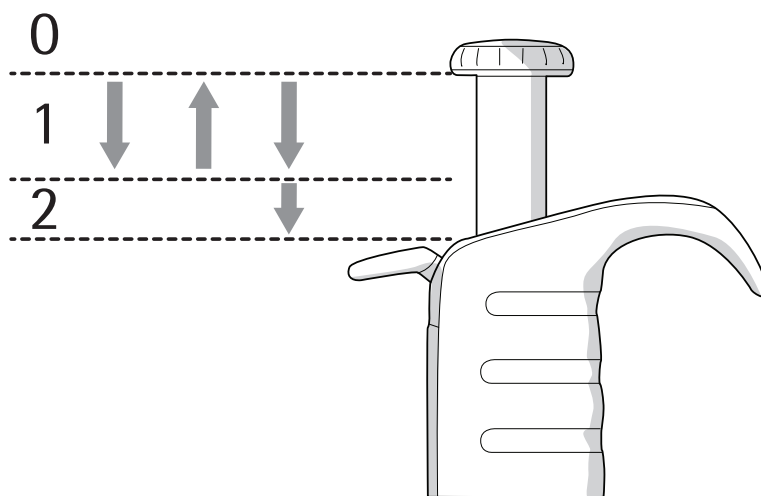
6.1 Good Pipetting Practices

- Make sure the tip is firmly attached to the tip cone(s).
- Pre-rinse the tip before aspirating by filling and emptying the tip three to five times. This is particularly important when pipetting liquids with a viscosity and density greater than water, or volatile liquids with high vapor pressure (such as ethanol).
- Make sure the pipette, tip, and liquid are at the same temperature.
- Hold the pipette upright when aspirating, and only place the tip a few millimeters into the liquid (2-3 mm if the pipette's volume is 3-2000 μ l; 5-6 mm if the volume is 5-10 ml).
- Always press and release the operating button slowly and smoothly.
- When pipetting a liquid that is not at the ambient temperature, change the tip after each pipetting. Do not rinse the tip before use.
- To avoid contaminating the pipette's housing with either the sample in the tip or the work surface, do not lay the pipette on its side.
- Never strike the tip cone against the tip tray.
- When handling infectious or radioactive agents, wear appropriate protective gear and take all sensible precautions.
- Avoid exposing the unit to extreme temperature changes, humidity, or dust. Operating temperatures should be between 15 and 40°C.

6.2 Forward Pipetting

Forward pipetting is the most common pipetting technique. It uses a blow-out function to ensure complete delivery of the liquid. This technique aspirates and then dispenses the selected liquid volume. It is recommended for aqueous liquids, liquids containing small amounts of detergents or proteins, and solvents.

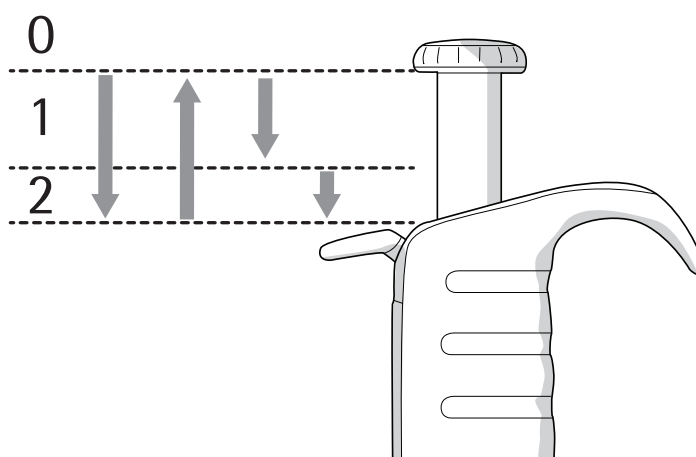
1. Fit the tip onto the pipette tip cone.
2. Press the operating button to the first stop.
3. Place the tip just under the surface of the liquid and smoothly release the operating button, allowing it to return to the starting position. Wait one second.
4. Carefully withdraw the tip from the liquid, touching it against the edge of the container to remove any excess liquid.
5. Dispense the liquid by pressing the operating button to the first stop.
6. After a short delay, press the operating button to the second stop. This empties the tip.



6.3 Reverse Pipetting

Reverse pipetting is recommended for highly viscous, biological, or foaming liquids, or very small volumes. The selected volume is aspirated into the tip along with an excess volume. Delivery is done without blow-out ensuring the excess volume remains in the tip. This excess is then discarded after the selected volume is aspirated. You may need to adjust the pipette in order to use the reverse pipetting technique.

1. Fit the tip onto the pipette tip cone.
2. Press the operating button all the way to the second stop.
3. Place the tip just under the surface of the liquid and smoothly release the operating button, allowing it to return to the starting position.
4. Carefully withdraw the tip from the liquid, touching it against the edge of the container to remove any excess from the tip.
5. Press the operating button smoothly to the first stop to deliver the desired volume. The liquid that remains in the tip should not be included in the delivery.
6. Discard the remaining liquid by pressing the operating button to the second stop.



6.4 Repetitive Reverse Pipetting

The reverse technique allows you to repeatedly deliver the same volume.

1. Follow steps 1 to 5 of the reverse-pipetting technique above ([see 6.3, Reverse pipetting](#)).
2. Repeat steps 3 to 5 as many times as necessary.
3. Discard the remaining liquid by pressing the operating button to the second stop.

7. Maintaining the Pipette

The Tacta pipette range has been designed for easy in-house service. If the pipette is in daily use, we recommend you clean and decontaminate it and check its performance every three months. Sartorius also provides a complete repair and calibration service, including a service report and performance certificate.

NOTE: Make sure the pipette has been decontaminated before you send it for repair or calibration. Be sure to note any hazardous material that the pipette has been exposed to. For more information [see 7.3, Sterilizing the pipette](#).

NOTE: Using tip cone filters may lengthen the service interval. Change filters regularly.

NOTE: We recommend always using gloves when cleaning the pipette.

7.1 Cleaning the Outer Surface of the Pipette (daily)

Your Tacta pipette should be checked daily to ensure it is clean.

To clean and decontaminate the outer surface of the pipette, use a disinfectant liquid or mild detergent and a soft, lint-free cloth. Gently clean the surface of the pipette with the moistened cloth and wipe it dry. Pay special attention to the tip cone.

Change the tip cone filter.

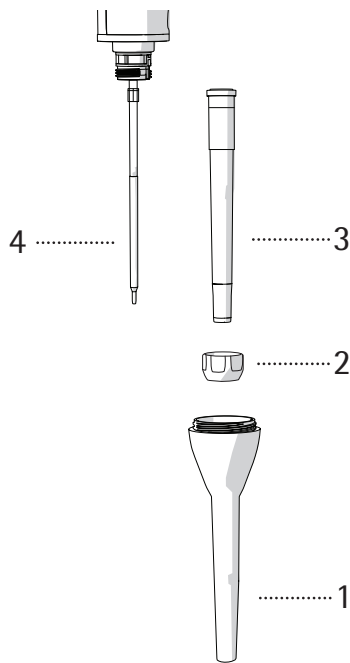
7.2 Cleaning the Lower Part of the Pipette (every three months)

If the pipette is in daily use, it is recommended to clean, decontaminate, and grease it every three months. We recommend sending multichannel pipettes to your local Sartorius service center for cleaning and greasing.

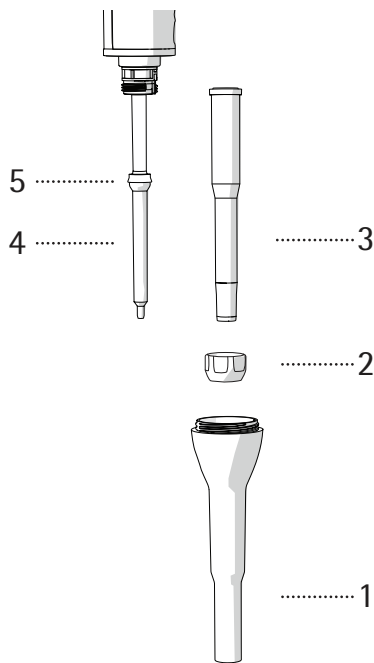
Parts and materials:

1. Tip ejector collar (polypropylene (PP))
2. Locking ring (polyetherimide (PEI) in 10 ml pipettes, polyamide (PA) in all other pipettes)
3. Tip cone (polyvinylidene fluoride (PVDF) in 3, 10, 20, and 100 μ l pipettes, polyetherimide (PEI) in 200 and 300 μ l pipettes, polyphenylenesulphide (PPS) in 1000 μ l, 5000 μ l, and 10 ml pipettes)
4. Piston (stainless steel (SS) in 3, 10, and 20 μ l pipettes, polyphenylenesulphide (PPS) in 100 μ l single-channel and 200, 300, 1000, and 5000 μ l pipettes, polyetherimide (PE) in 100 μ l multichannel pipettes)
5. Piston seal (fluoroelastomer (FKM) in 3, 10, and 20 μ l pipettes and 10 ml pipettes, ethylene propylene diene monomer (EPDM) in 100, 200, 1000, and 5000 μ l pipettes)

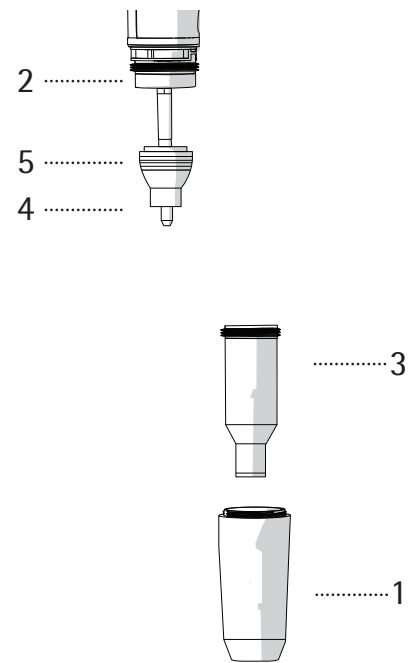
10, 20, and 100 μ l pipettes



200 and 1000 μ l pipettes



5000 μ l and 10 ml pipettes

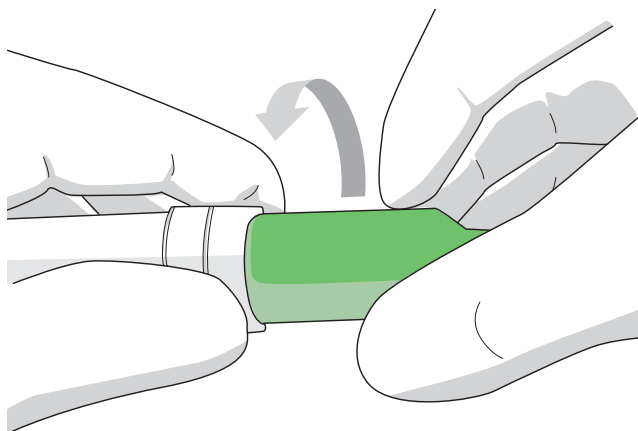


To clean and decontaminate the lower parts of a single-channel pipette, follow the steps below.

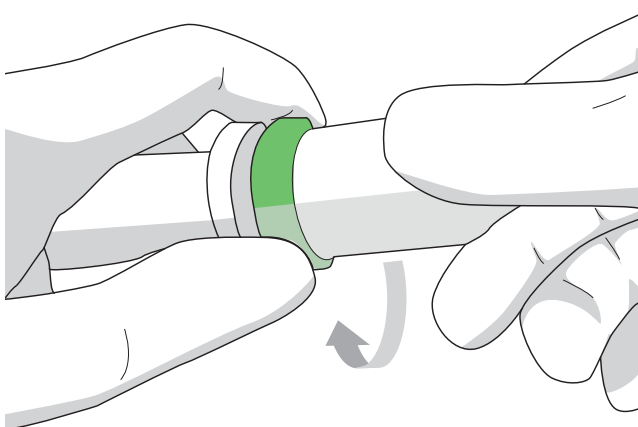
To disassemble and clean the pipette:

1. Eject the tip cone filter (if fitted; [see 5.3, Using protective tip cone filters](#))
2. Unscrew the tip ejector collar (1) counterclockwise and remove it.
3. Depending on the pipette volume:
 - a. With all pipettes other than the 5000 μ l or 10 ml models, unscrew the locking ring (2) counterclockwise and carefully remove it together with the tip cone (3).OR

b. With a 5000 μ l pipette, hold the locking ring (2) firmly with your fingers and turn the tip cone cylinder counterclockwise with the other hand (see image below). Do not turn the locking ring as you turn the tip cone (3) as this will break the pipette.
OR



c. With a 10 ml pipette hold the tip cone cylinder firmly and turn the locking ring (2) clockwise with your fingers (see image below). Do not turn the tip cone (3) as this will break the pipette.



4. Clean the tip ejector collar (1), the tip cone holder, the tip cone cylinder, and the piston (4) with a disinfectant liquid or mild detergent and a soft, lint-free cloth.
5. Clean the interior of the tip ejector collar (1) and the tip cone cylinder with a cotton swab. Be careful with 3, 10, 20, and 100 μ l pipettes to ensure the seal inside the tip cone is not damaged.
6. Rinse the parts with distilled water if necessary and allow them to dry.
7. Depending on the pipette volume:
 - a. With a 3, 10, 20, or 100 μ l pipette, apply a thin layer of grease on the piston (4).
 - OR
 - b. With a 200 or 1000 μ l pipette, apply a thin layer of grease around the seal (5).
 - OR
 - c. With a 5000 μ l or 10 ml pipette, apply a thin layer of grease on the interior of the tip cone cylinder and around the seal (5).

NOTE: Avoid excess grease. Only use the grease provided with the pipette.

NOTE: Before reassembling, check that there is no lint or particles on the surface of the piston.

To reassemble the pipette:

1. Depending on the pipette volume:
 - a. With a 3, 10, 20, 100, 200, or 1000 µl pipette, carefully place the tip cone (3) on the piston (4) and attach it by screwing the tip cone holder clockwise.
OR
 - b. With a 5000 µl pipette, carefully place the tip cone cylinder on the piston (4) and screw clockwise. Make sure the tip cone cylinder is properly tightened. Avoid over-tightening.
OR
 - c. With a 10 ml pipette, carefully place the tip cone cylinder on the piston (4) and screw the locking ring (2) counterclockwise. Make sure the tip cone cylinder is properly tightened. Avoid over-tightening.
2. Attach the tip ejector collar (1) by screwing it clockwise.
3. Insert a new tip cone filter.
4. Press the operating button several times to ensure that the grease has spread evenly.
5. Check the performance of the pipette.

NOTE: Always check the performance of the pipette after in-house service or maintenance.

7.3 Sterilizing the Pipette

The Tacta pipette can be sterilized using autoclaving, UV, disinfectant, or decontaminant liquids. Always follow the instructions below.

Autoclaving

1. Remove the Safe-Cone Filter if attached ([see 5.3, Using protective tip cone filters](#)).
2. With a multichannel pipette, hold the connecting collar and unscrew the lower part by turning it 360° counterclockwise.
3. Put the pipette into the sterilization bag, and place the bag into the autoclave.
4. Sterilize at 121°C and 1 bar overpressure for 20 minutes.
5. Let the parts cool and dry overnight.
6. Depending on the pipette model:
 - a. With a multichannel pipette, reattach the tip cone housing to the pipette handle.
OR
 - b. With a single-channel pipette, check if the lower parts have become loose during autoclaving, and tighten them if necessary.



UV sterilization

Tacta pipettes are made of UV-resistant materials. The UV resistance of the products has been tested in continuous UV light under the following test conditions, which we also recommend for UV sterilization in labs:

- Wavelength: shortwave ultraviolet (UVC)
- Power: 2x20W (twin tubes)
- Distance from the tube surface to the table/product surface: 620 mm
- Tested UV dosage: 33000 mJ/cm²

Disinfectant liquid

Always ensure the pipette materials are chemically compatible with the detergent, disinfectant, or decontaminant liquids you plan to use. [See 1.1, Pipette parts and materials](#) for information on pipette materials. For information on chemical compatibility, please send a request by email to lhinfo.finland@sartorius.com.

8. Testing and Adjusting the Pipette

We recommend you check the performance of your Tacta pipette regularly (we suggest, every free months) and always after in-house maintenance. Establish a regular testing routine that takes account of the following:

- Accuracy requirements of the application
- Frequency of use
- Number of operators using the pipette
- Nature of the liquid dispensed
- Maximum number of permissible errors (ISO 8655-1)

8.1 Testing Pipette Performance

Performance testing should take place in a draft-free room at 15-30°C, constant to +/- 0.5°C, and with humidity above 50%. The pipette, tips, and test water should stay in the test room long enough (at least two hours) to reach equilibrium with the room conditions. Use distilled or deionized water (grade 3, ISO 3696) and an analytical balance with a readability of 0.01 mg (ISO 8655-6).

Weighing

1. Adjust the desired test volume (V_s).
2. Fit the tip onto the tip cone.
3. Fill the tip with test water and expel it into a waste container five times to reach a humidity equilibrium in the dead air volume.
4. Replace the tip.
5. Pre-wet the tip by filling it once with test water then expelling it into a waste container.
6. Aspirate the test water, immersing the tip only 2-3 mm below the surface of the water. Keep the pipette vertical.
7. Withdraw the pipette vertically, and touch the tip against the inside wall of the test water container.
8. Dispense the water into the weighing vessel, touching the tip against the inside wall of the vessel just above the liquid surface at an angle of 30-45°. Withdraw the pipette by drawing the tip 8-10 mm along the inner wall of the weighing vessel.
9. Read the weight in mg (m_i).
10. Repeat the test cycle until you have recorded 10 measurements.
11. Convert the recorded masses (m_i) to volumes (V_i):

$$V_i = m_i Z, \quad Z = \text{correction factor (see Table 1: Z-values (\mu\text{l}/\text{mg}))}$$

12. Calculate the mean volume (V) delivered: $V = (V_i)/10$

13. For conformity evaluation, calculate the systematic error (e_s) of the measurement:

$$\text{in } \mu\text{l: } e_s = V - V_s \quad V_s = \text{selected test volume}$$

$$\text{or in \%: } e_s = 100 (V - V_s)/V_s$$

14. For conformity evaluation, calculate the random error of the measurement: as standard deviation

$$s = \sqrt{\frac{\sum (V_i - \bar{V})^2}{n - 1}} \quad n = \text{number of measurement (10)}$$

or as coefficient of variation $CV = 100s/V$

15. Compare the systematic error (inaccuracy) and random error (imprecision) with the values in the performance specifications (see 10.1, Order information and specifications) or the specifications of your own laboratory. If the results fall within the specifications, the pipette is ready for use. Otherwise, check for both systematic and random errors and, when necessary, adjust the pipette (see 8.2, Adjusting the pipette).

NOTE: A systematic error (inaccuracy) is the difference between the dispensed volume and the selected test volume. A random error (imprecision) is the scatter of dispensed volumes around the mean dispensed volume (ISO 8655-1).

NOTE: Sartorius specifications are achieved in strictly controlled conditions (ISO 8655-6). We recommend establishing your own specifications based on the field of use and the accuracy requirements placed on the pipette (ISO 8655-1).

Table 1: Z-values ($\mu\text{l}/\text{mg}$)

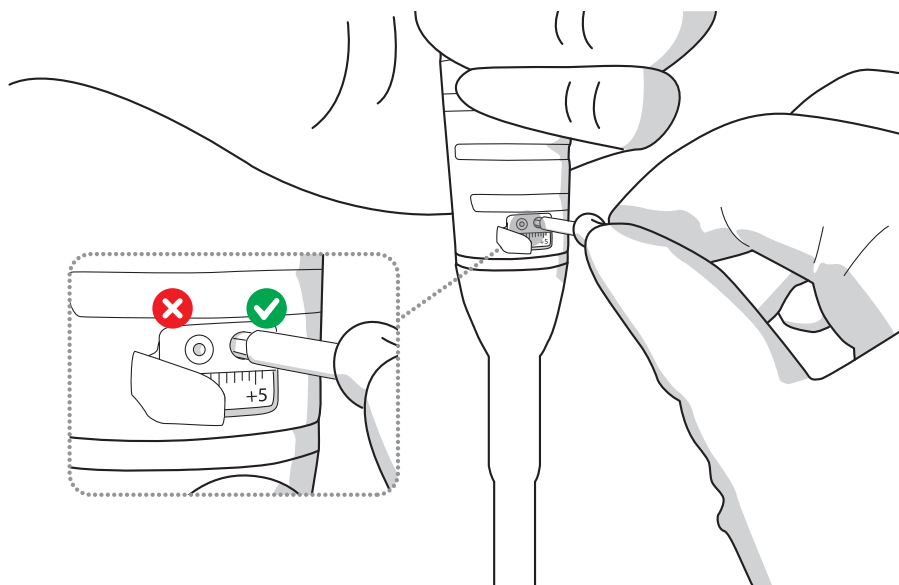
Temp. (°C)	Air Pressure (kPa)			
	95	100	101.3	105
20.0	1.0028	1.0028	1.0029	1.0029
20.5	1.0029	1.0029	1.0030	1.0030
21.0	1.0030	1.0031	1.0031	1.0031
21.5	1.0031	1.0032	1.0032	1.0032
22.0	1.0032	1.0033	1.0033	1.0033
22.5	1.0033	1.0034	1.0034	1.0034
23.0	1.0034	1.0035	1.0035	1.0036
23.5	1.0036	1.0036	1.0036	1.0037

8.2 Adjusting the Pipette

Your Tacta pipette has been factory-checked using the forward pipetting technique and certified at 22°C using grade-3 distilled water according to ISO 3696. The calibration is based on ISO 8655-6: Gravimetric test method for volumetric instruments.

In the following situations factory calibration is not applicable and the pipette will need adjusting:

- When pipetting liquids which differ from water in density, viscosity, vapor pressure, or other quality.
- When reverse pipetting
- When the geometry of the tip used clearly differs from standard tip geometry.
- When the pipette is used at high altitudes.



To adjust the pipette:

1. Use the tool to open the cover above the adjustment window.
2. Place the star head of the adjustment tool into the socket, and press firmly. This releases the lock.
3. Turn the adjustment tool counterclockwise to decrease the volume and clockwise to increase it.

NOTE: When adjusting multichannel models, hold the pipette by the handle. The lower part of the pipette (the tip cone housing) will move during adjustment – allow it to move freely to prevent breaking the pipette.

Table 2: Volume adjustment units in μl

Tacta model	Channels	Increment (μl)	-45	-10	-5	-1	0	1	5	10	45
0.1-3 μl	1	0,002	-0.09	-0.02	-0.01	-0.002	0	0.002	0.01	0.02	0.09
0.5-10 μl	1	0,01	-0.45	-0.1	-0.05	-0.01	0	0.01	0.05	0.1	0.45
2-20 μl	1	0,02	-0.9	-0.2	-0.1	-0.02	0	0.02	0.1	0.2	0.9
10-100 μl	1	0,1	-4.5	-1	-0.5	-0.1	0	0.1	0.5	1	4.5
20-200 μl	1	0,2	-9	-2	-1	-0.2	0	0.2	1	2	9
100-1000 μl	1	1	-45	-10	-5	-1	0	1	5	10	45
500-5000 μl	1	5	-225	-50	-25	-5	0	5	25	50	225
1-10 ml	1	10	-450	-100	-50	-10	0	10	50	100	450
0.5-10 μl	8 and 12	0,01	-0.45	-0.1	-0.05	-0.01	0	0.01	0.05	0.1	0.45
5-100 μl	8 and 12	0,1	-4.5	-1	-0.5	-0.1	0	0.1	0.5	1	4.5
30-300 μl	8 and 12	0,2	-9	-2	-1	-0.2	0	0.2	1	2	9

9. Troubleshooting

Table 3: Symptoms and solutions

Symptom	Possible cause	Solution
Droplets left inside tip	- Unsuitable tip	- Use original Sartorius tips
Leakage	- Pre-rinsing of the tip unsuccessful	- Pre-rinse the tip again
Pipetted volume too small	- Tip incorrectly attached	- Attach tip firmly
	- Unsuitable tip	- Use original Sartorius tips
	- Foreign particles between the tip and cone	- Clean tip cone, attach new tip
	- Tip cone holder incorrectly tightened	- Tighten the tip cone holder
	- Pipette damaged	- Return to your Sartorius service center for servicing
Pipette outside established specifications	- Incorrect operation	- Follow instructions
	- Unsuitable tip	- Use original Sartorius tips
	- Adjustment altered	- Readjust the pipette
Operating button jammed or moves erratically	- Liquid has penetrated tip cone and dried	- Clean and grease piston and seal
	- Safe-Cone Filter has been contaminated	- Clean tip cone
	- Insufficient amount of grease on piston and seal	- Change filter
		- Grease as required
Tip ejector jammed or moves erratically	- Tip ejector collar has been contaminated	- Remove and clean ejector collar and tip cone

10. References

10.1 Order Information and Specifications

These specifications are only guaranteed when original Sartorius tips are used. The specifications should be used as guidelines when establishing your own performance specifications.

Table 4: Tacta pipette specifications

Order Code	Channels	Volume Range (µl)	Colour Coding	Increment (µl)	Test Volume (µl)	Systematic Error* (%)	Random Error* (%)	Safe-Cone Standard	Filters Plus
LH-729010	1	0.1-3	●	0.002	3	1.30	0.80	-	-
					1.5	2.40	1.60		
					0.3	10.00	6.00		
LH-729020	1	0.5-10	●	0.01	10	1.00	0.60	-	-
					5	1.50	1.00		
					1	2.50	1.50		
LH-729030	1	2-20	●	0.02	20	0.90	0.40	721014	-
					10	1.20	1.00		
					2	3.00	2.00		
LH-729050	1	10-100	●	0.10	100	0.80	0.15	721008	721018
					50	1.00	0.40		
					10	2.00	1.00		
LH-729060	1	20-200	●	0.20	200	0.60	0.15	721007	721017
					100	0.80	0.30		
					20	2.30	0.90		
LH-729070	1	100-1000	●	1.00	1000	0.70	0.20	721006	721016
					500	0.70	0.20		
					100	2.00	0.50		
LH-729080	1	500-5000	●	10.0	5000	0.50	0.20	721005	721015
					2500	0.60	0.30		
					500	2.00	0.60		
LH-729090	1	1-10 ml	●	20.0	10000	0.60	0.20	721005	721015
					5000	1.20	0.30		
					1000	3.00	0.60		
LH-729120	8	0.5-10	●	0.01	10	1.50	1.00	-	-
					5	2.50	2.50		
					1	4.00	4.00		
LH-729130	8	5-100	●	0.10	100	0.70	0.25	721008	721018
					50	1.00	0.70		
					10	3.00	1.50		
LH-729140	8	30-300	●	0.20	300	0.60	0.25	721007	721017
					150	1.00	0.50		
					30	2.00	1.00		
LH-729220	12	0.5-10	●	0.01	10	1.50	1.00	-	-
					5	2.50	2.50		
					1	4.00	4.00		
LH-729230	12	5-100	●	0.10	100	0.70	0.25	721008	721018
					50	1.00	0.70		
					10	3.00	1.50		
LH-729240	12	30-300	●	0.20	300	0.60	0.25	721007	721017
					150	1.00	0.50		
					30	2.00	1.00		

Table 5: Stand and holder models

Order Code	Product
LH-727640	Pipette Holder for Tacta pipette
LH-727650	Tacta adapter for Carousel Stand
LH-725630	Carousel Stand for 6 pipettes
725620	Linear Pipette Stand

10.2 Warranty Information

The Tacta pipette is guaranteed for two years against defective materials or workmanship. If your Tacta pipette fails to function at any time, contact your local Sartorius representative.

ANY WARRANTY WILL, HOWEVER, BE DEEMED AS VOID IF FAULT IS FOUND TO HAVE BEEN CAUSED BY MALTREATMENT, MISUSE, UNAUTHORIZED MAINTENANCE OR SERVICE, NEGLIGENCE OF REGULAR MAINTENANCE OR SERVICE, ACCIDENTAL DAMAGE, INCORRECT STORAGE, USE OF THE PRODUCT FOR OPERATIONS OUTSIDE ITS SPECIFIED LIMITATIONS, OR SPECIFICATIONS, USAGE CONTRARY TO THE INSTRUCTIONS GIVEN IN THIS MANUAL, OR USE WITH ANYTHING BUT THE MANUFACTURER'S ORIGINAL TIPS.

Every Tacta pipette is tested by the manufacturer before shipping. The Sartorius Quality Assurance Procedure guarantees that the pipette you have purchased is ready for use.



Contact Details

Sartorius Biohit Liquid Handling Oy
Laippatie 1
00880 Helsinki
Finland

Phone +358.9.755.951
lhinfo.finland@sartorius.com

Sartorius Lab Instruments GmbH
Weender Landstrasse 94-108
37075 Goettingen
Germany

Phone +49.551.308.0
Fax +49.551.308.3289
www.sartorius.com

The status of the information, specifications, and illustrations in this manual are subject to change.

Sartorius reserves the right to make changes to the technology, features, specifications, and design of the equipment without notice.

All trademarks are Sartorius property unless otherwise stated. Patents granted or pending.



Biozym Scientific GmbH
Steinbrinksweg 27
D-31840 Hessisch Oldendorf
Tel.: +49 (0)5152-9020
Fax: +49 (0)5152-2070
support@biozym.com
www.biozym.com

Biozym Biotech Trading GmbH
Wehlistr. 27b
A-1200 Wien
Tel.: +43 (1)3340156-0 -
Fax: +43(1)3340156-88



◀ www.sartorius.com